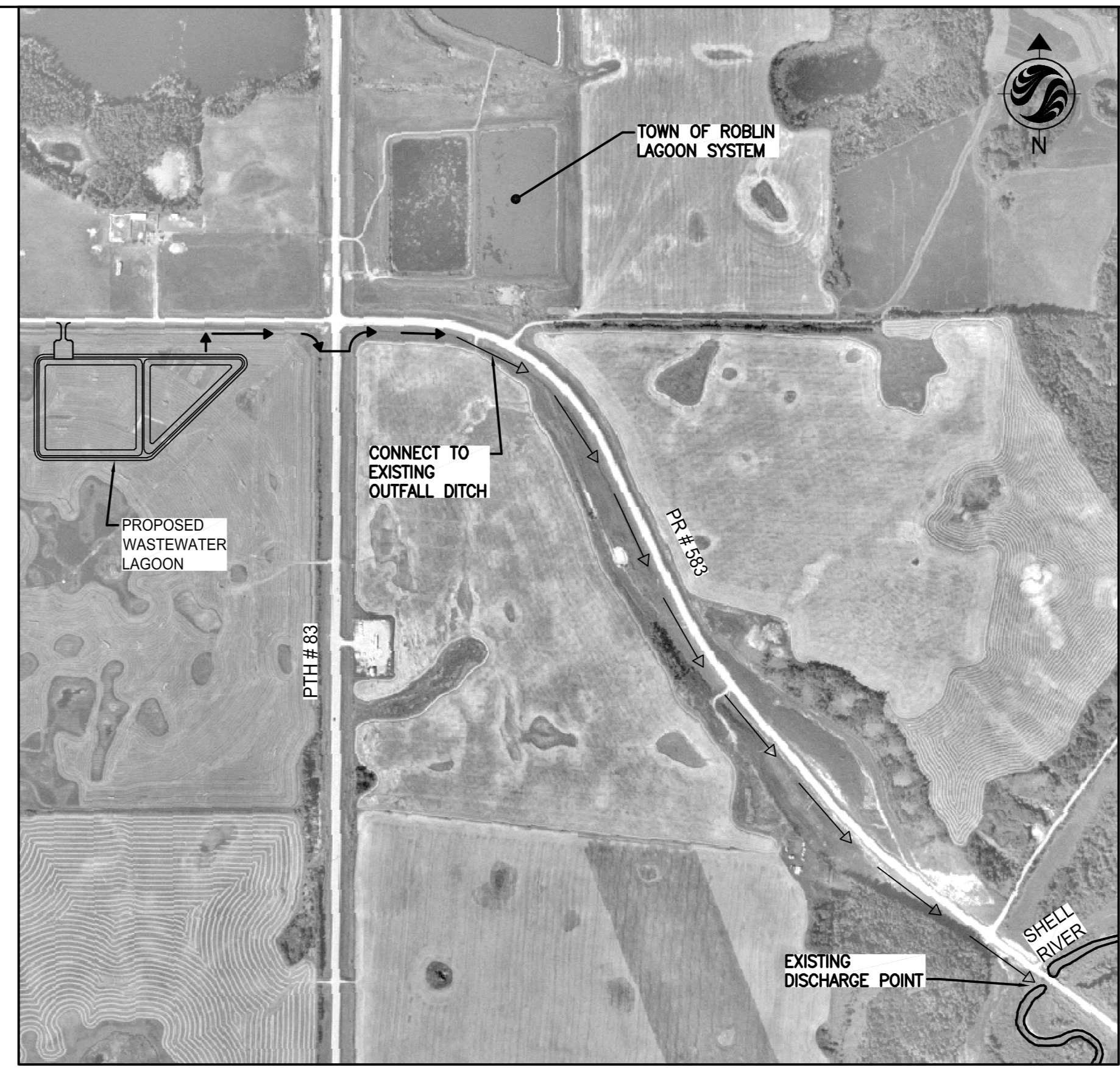


PROPOSED WASTEWATER LAGOON
1:1500



KEY PLAN
1:1000



Stantec Consulting Ltd.
905 Waverley Street
Winnipeg MB Canada
R3T 5P4
Tel. 204.489.5900
Fax. 204.453.9012
www.stantec.com

Copyright Reserved
The Contractor shall verify and be responsible for all dimensions. DO NOT scale the drawing - any errors or omissions shall be reported to Stantec without delay.
The Copyrights to all designs and drawings are the property of Stantec. Reproduction or use for any purpose other than that authorized by Stantec is forbidden.

| EXISTING | LEGEND-PLAN | PROPOSED |
|-----------|-----------------------|-----------|
| ⊗ | VALVE | ⊙ |
| —250 FRM— | FORCEMAIN SEWER | —250 FRM— |
| ⊙ | TREE | ⊙ |
| — | CULVERT | — |
| ○ | SIGN | ○ |
| — | HYDRO POLE & GUY WIRE | — |
| ⊙ | MTS PEDESTAL | ⊙ |
| ⊙ | GAS METER | ⊙ |
| —X— | FENCE | —X— |
| --- | EDGE OF GRAVEL | --- |
| --- | EDGE OF ASPHALT | --- |
| — | DITCH | — |
| --- | PROPERTY LINE | --- |

| Revision | By | Appd. | YY.MM.DD |
|----------|----------------------|-------|------------------|
| 5 | | | |
| 4 | | | |
| 3 | | | |
| 2 | | | |
| 1 | | | |
| E | | | |
| D | | | |
| C | | | |
| B | | | |
| A | FOR LICENCE PROPOSAL | TLS | TLS 2010.12.17 |
| Issued | | By | Appd. YYYY.MM.DD |

| Client/Project | ADL | TLS | TLS | 2010.12.17 |
|----------------|------|-------|-------|------------|
| | Dwn. | Chkd. | Dsgn. | YYYY.MM.DD |

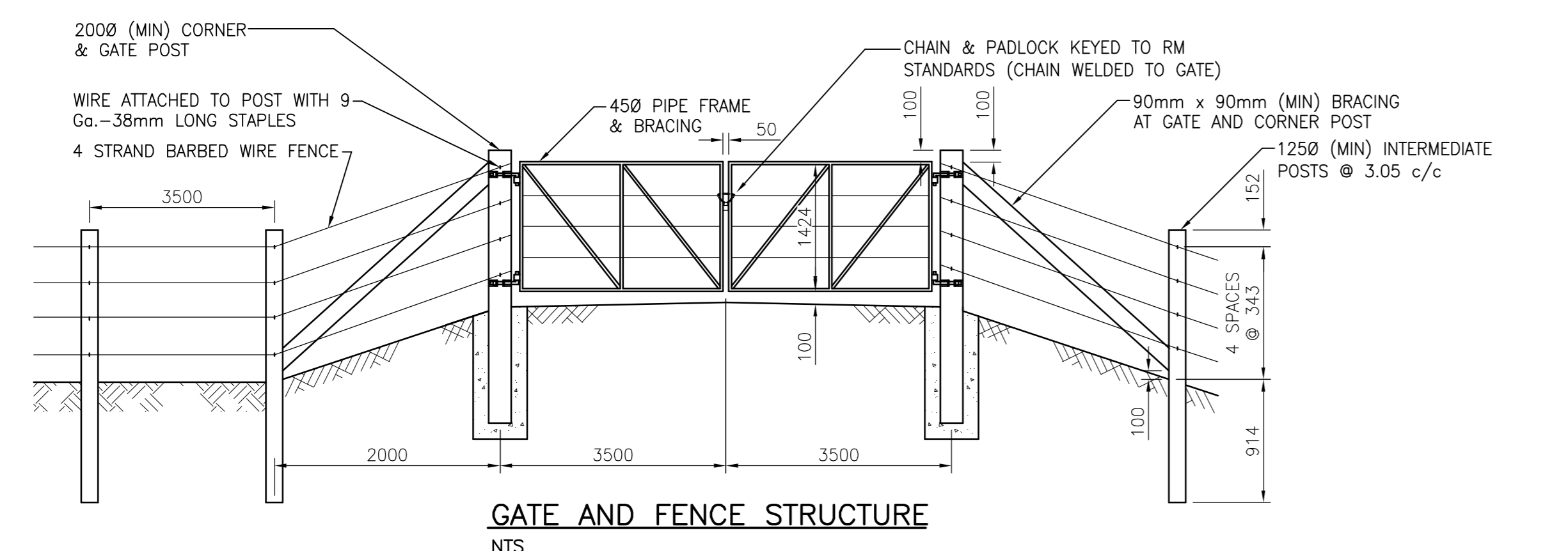


APEGM
Certificate of Authorization
Stantec Consulting Ltd.
Member 4381
No. 1301 Date: _____

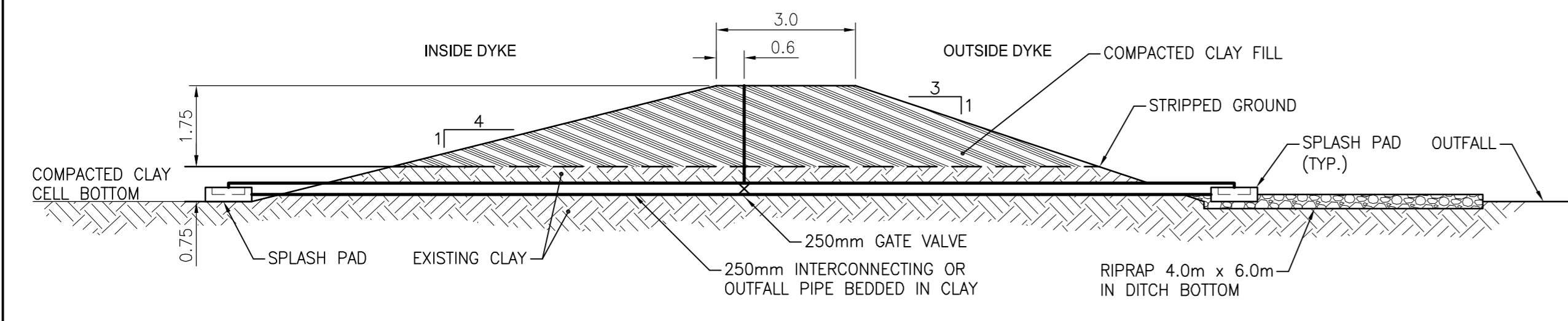
Client/Project
R.M. OF SHELL RIVER AND THE MANITOBA WATER SERVICES BOARD
SHELL RIVER WASTEWATER LAGOON
Roblin, MB Canada

Title
LAGOON SITE PLAN FOR ENVIRONMENTAL LICENCE PROPOSAL

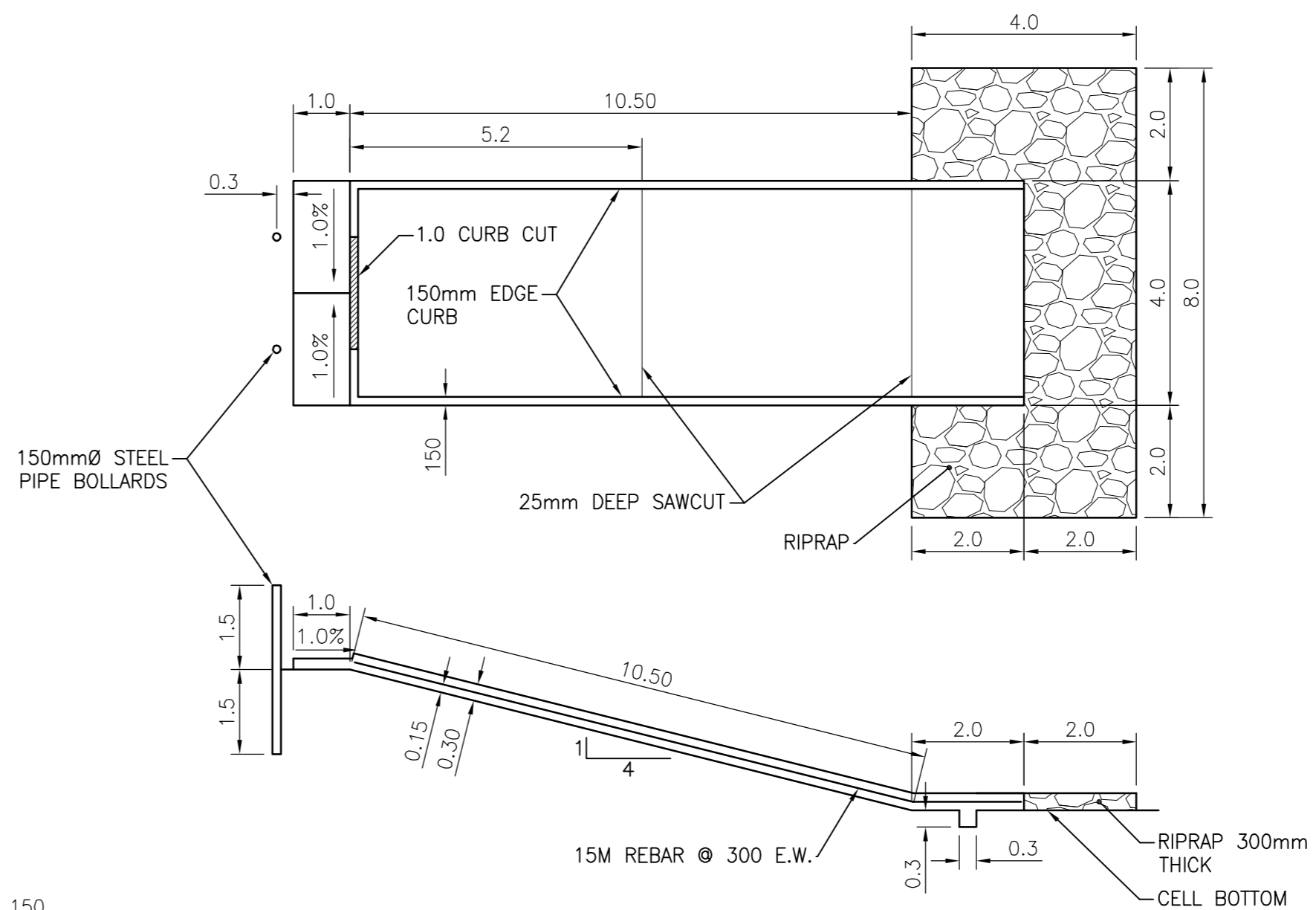
Project No. 111212580
Scale AS NOTED
Drawing No. C-101
Issue/Revision A / 0



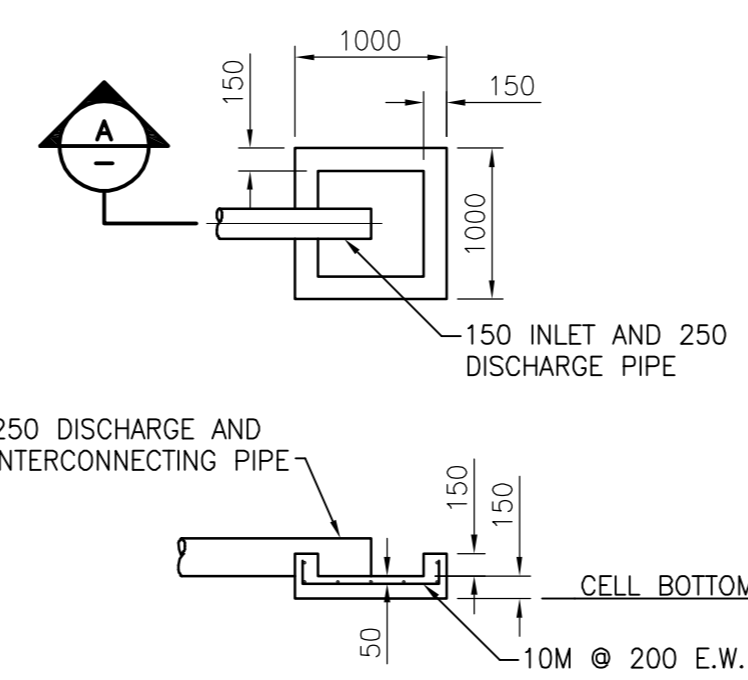
GATE AND FENCE STRUCTURE
NTS



TYPICAL DYKE CROSS SECTION
1:100



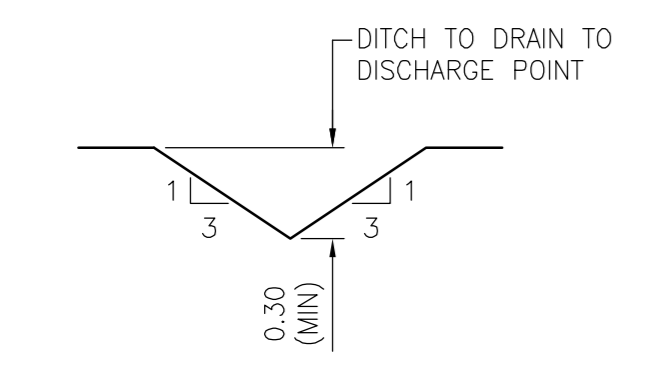
CONCRETE TRUCK DUMP STRUCTURE
1:100



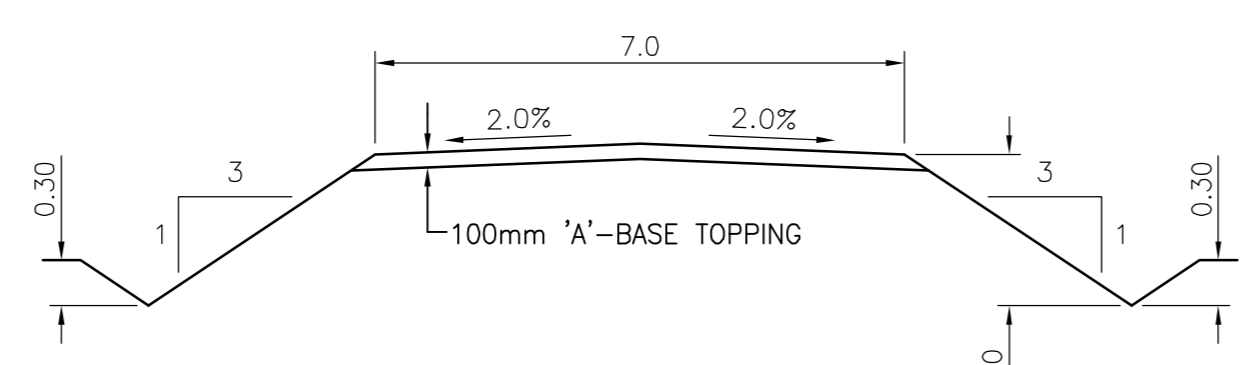
SECTION A

NOTE: CONCRETE TO BE SULPHATE RESISTANT, 30MPa

SPLASH PAD DETAIL
1:50



PERIMETER DITCH SECTION
1:500H
1:250V



ACCESS ROAD SECTION
1:100H
1:500V

V:\112\11212580\Drawings\02_design\interior\12580c-101-665.dwg
 Date: 2011.02.10 11:18 AM
 User: regman, S:\regman, S:\regman