

**APPENDIX E**

---

**Plans and Details**

NW 25-13-27

NE 25-13-27



**WSP**  
1600 BUFFALO PLACE  
WINNEPEG, MANITOBA  
CANADA R3T 6B8  
PHONE: 204-477-6650 FAX: 204-474-2864  
WWW.WSPGROUP.COM

CONSULTANT:

SEAL:

**APEGM**  
Certificate of Authorization  
WSP Canada Inc.  
No. 5750 Date March 19, 2014



CLIENT:

R.M. OF MINIOTA

CLIENT REF. #:

PROJECT:

R.M. OF MINIOTA  
WWSP EXPANSION

KEY PLAN:

EXPANDED PRIMARY CELL SURFACE AREA = 0.623 ha  
EXPANDED PRIMARY CELL STORAGE VOLUME = 3,987 m<sup>3</sup>  
EXISTING SECONDARY CELL STORAGE VOLUME = 8,234 m<sup>3</sup>  
PROPOSED SECONDARY CELL STORAGE VOLUME = 11,734 m<sup>3</sup>  
TOTAL PROPOSED LAGOON STORAGE VOLUME = 23,955 m<sup>3</sup>

**REDUCED DRAWING**  
DO NOT SCALE

**PRELIMINARY**  
NOT FOR CONSTRUCTION

DISCLAIMER: THIS DRAWING AND DESIGN IS COPYRIGHT PROTECTED WORK AND SHALL NOT BE REPRODUCED OR REVISED WITHOUT WRITTEN PERMISSION BY WSP. THE CONTRACTOR SHALL CHECK AND VERIFY ALL DIMENSIONS AND UTILITY LOCATIONS AND REPORT ALL ERRORS AND OMISSIONS PRIOR TO COMMENCING WORK. THIS DRAWING IS NOT TO BE SCALED.

ISSUED FOR - REVISION:

1 2014/03/19 EAP SUBMISSION

PROJECT NO: 131-16657-00 DATE: 2014/03/19

ORIGINAL SCALE: 1:750

DESIGNED BY: JSB

DRAWN BY: JSB

CHECKED BY: FRW

DISCIPLINE: CIVIL

TITLE: PROPOSED SITE PLAN

SHEET NUMBER: C01

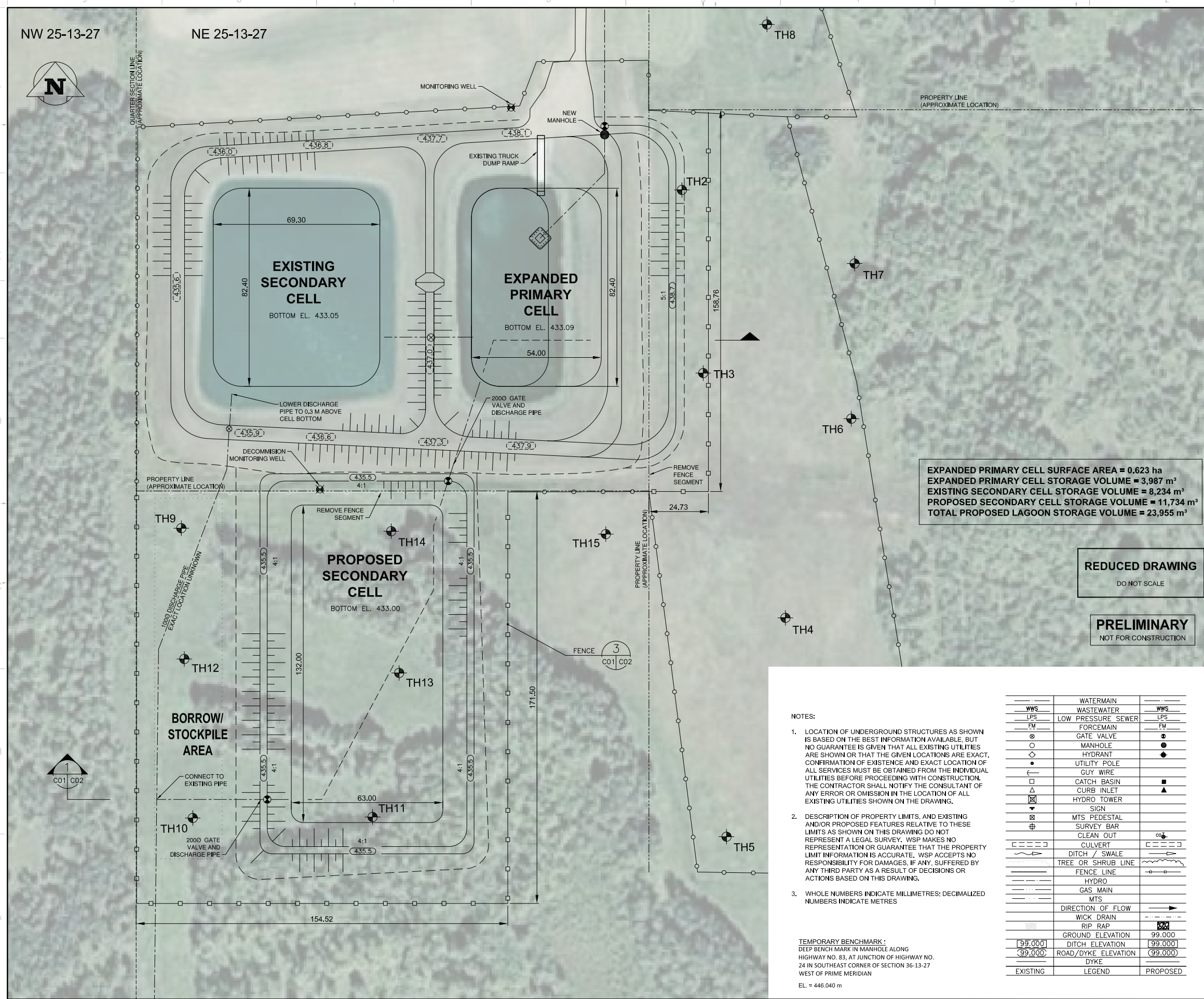
SHEET #: 1 OF 2

ISSUE: EAP SUBMISSION

DATE OF: 2014/03/19

REV #

0



NOTES:

- LOCATION OF UNDERGROUND STRUCTURES AS SHOWN IS BASED ON THE BEST INFORMATION AVAILABLE. BUT NO GUARANTEE IS GIVEN THAT ALL EXISTING UTILITIES ARE SHOWN OR THAT THE GIVEN LOCATIONS ARE EXACT. CONFIRMATION OF EXISTENCE AND EXACT LOCATION OF ALL SERVICES MUST BE OBTAINED FROM THE INDIVIDUAL UTILITIES BEFORE PROCEEDING WITH CONSTRUCTION. THE CONTRACTOR SHALL NOTIFY THE CONSULTANT OF ANY ERROR OR OMISSION IN THE LOCATION OF ALL EXISTING UTILITIES SHOWN ON THE DRAWING.
- DESCRIPTION OF PROPERTY LIMITS, AND EXISTING AND/OR PROPOSED FEATURES RELATIVE TO THESE LIMITS AS SHOWN ON THIS DRAWING DO NOT REPRESENT A LEGAL SURVEY. WSP MAKES NO REPRESENTATION OR GUARANTEE THAT THE PROPERTY LIMIT INFORMATION IS ACCURATE. WSP ACCEPTS NO RESPONSIBILITY FOR DAMAGES, IF ANY, SUFFERED BY ANY THIRD PARTY AS A RESULT OF DECISIONS OR ACTIONS BASED ON THIS DRAWING.
- WHOLE NUMBERS INDICATE MILLIMETRES; DECIMALIZED NUMBERS INDICATE METRES

TEMPORARY BENCHMARK -  
DEEP BENCH MARK IN MANHOLE ALONG  
HIGHWAY NO. 83, AT JUNCTION OF HIGHWAY NO.  
24 IN SOUTHEAST CORNER OF SECTION 36-13-27  
WEST OF PRIME MERIDIAN  
EL. = 446.040 m

EXISTING	LEGEND	PROPOSED
---	WATERMAIN	---
---	WASTEWATER	---
---	LOW PRESSURE SEWER	---
---	FORCEMAIN	---
⊗	GATE VALVE	⊗
○	MANHOLE	●
○	HYDRANT	●
●	UTILITY POLE	●
—	GUY WIRE	—
□	CATCH BASIN	■
△	CURB INLET	▲
⊠	HYDRO TOWER	▲
▽	SIGN	▽
⊠	MTS PEDESTAL	⊠
⊠	SURVEY BAR	⊠
⊠	CLEAN OUT	⊠
---	CULVERT	---
---	DITCH / SWALE	---
---	TREE OR SHRUB LINE	---
---	FENCE LINE	---
---	HYDRO	---
---	GAS MAIN	---
---	MTS	---
---	DIRECTION OF FLOW	---
---	WICK DRAIN	---
---	RIP RAP	---
---	GROUND ELEVATION	---
---	DITCH ELEVATION	---
---	ROAD/DYKE ELEVATION	---
---	DYKE	---
---	EXISTING	---
---	LEGEND	---
---	PROPOSED	---

STAMP

CONSULTANT:

SEAL:



CLIENT:

R.M. OF MINIOTA

CLIENT REF. #:

PROJECT:

R.M. OF MINIOTA  
 WWSP EXPANSION

KEY PLAN:

DISCLAIMER: THIS DRAWING AND DESIGN IS COPYRIGHT PROTECTED AND SHALL NOT BE USED, REPRODUCED OR REVISED WITHOUT WRITTEN PERMISSION BY WSP. THE CONTRACTOR SHALL CHECK AND VERIFY ALL DIMENSIONS AND UTILITY LOCATIONS AND REPORT ALL ERRORS AND OMISSIONS PRIOR TO COMMENCING WORK. THIS DRAWING IS NOT TO BE SCALED.

ISSUED FOR - REVISION:

1	2014/03/19	EAP SUBMISSION
---	------------	----------------

PROJECT NO:	131-16657-00	DATE:	2014/03/19
ORIGINAL SCALE:	NTS	IF THIS BAR IS NOT 25mm LONG, ADJUST YOUR PLOTTING SCALE.	
DESIGNED BY:	JSB		
DRAWN BY:	JSB		
CHECKED BY:	RWW		
DISCIPLINE:	CIVIL		

TITLE:

PROPOSED SECTION, ACCESS SIGNAGE AND FENCE DETAILS

SHEET NUMBER: C02

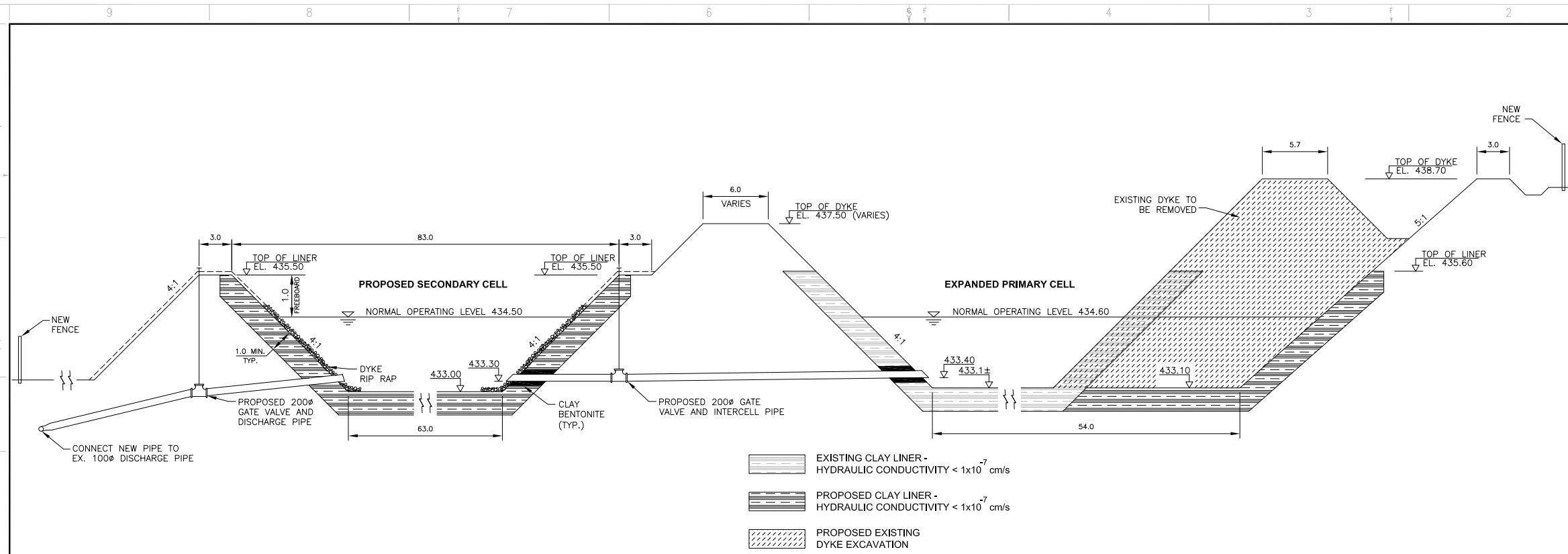
SHEET #: 2 OF 2

ISSUE: EAP SUBMISSION

DATE OF: 2014/03/19

REV #

0



- EXISTING CLAY LINER - HYDRAULIC CONDUCTIVITY <math>< 1 \times 10^{-7}</math> cm/s
- PROPOSED CLAY LINER - HYDRAULIC CONDUCTIVITY <math>< 1 \times 10^{-7}</math> cm/s
- PROPOSED EXISTING DYKE EXCAVATION

1 SECTION OF PROPOSED SECONDARY CELL AND EXPANDED PRIMARY CELL  
 C01 | C02 N.T.S.

**REDUCED DRAWING**  
 DO NOT SCALE

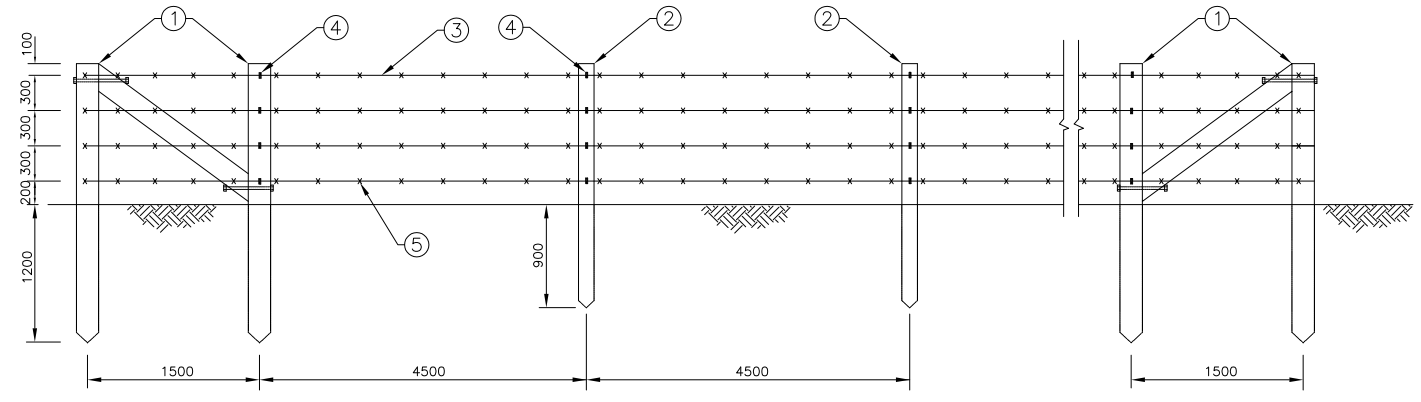
**PRELIMINARY**  
 NOT FOR CONSTRUCTION

- NOTES:
- CORNER POSTS: 175mm TREATED WOOD POST, 2400mm LONG
  - REGULAR POSTS: 125mm TREATED WOOD POST, 2100mm LONG
  - 2 STRAND 2mm GALVANIZED WIRE (TYP.)
  - WIRE FENCE STAPLES (TYP.)
  - 4 POINT BARBS (TYP.)



- PERIMETER FENCE SIGNAGE NOTES:
- PERIMETER SIGNAGE TO BE SECURED TO PERIMETER FENCE POSTS EVERY 50 m AROUND ENTIRE FACILITY
  - SIGNS TO BE CONSTRUCTED OF ALUMINUM, AIR MASTER QUALITY OR APPROVED EQUAL

2 PERIMETER FENCE SIGNAGE DETAIL (TYP.)  
 N.T.S.



3 PERIMETER FENCE DETAIL  
 C01 | C02 N.T.S.