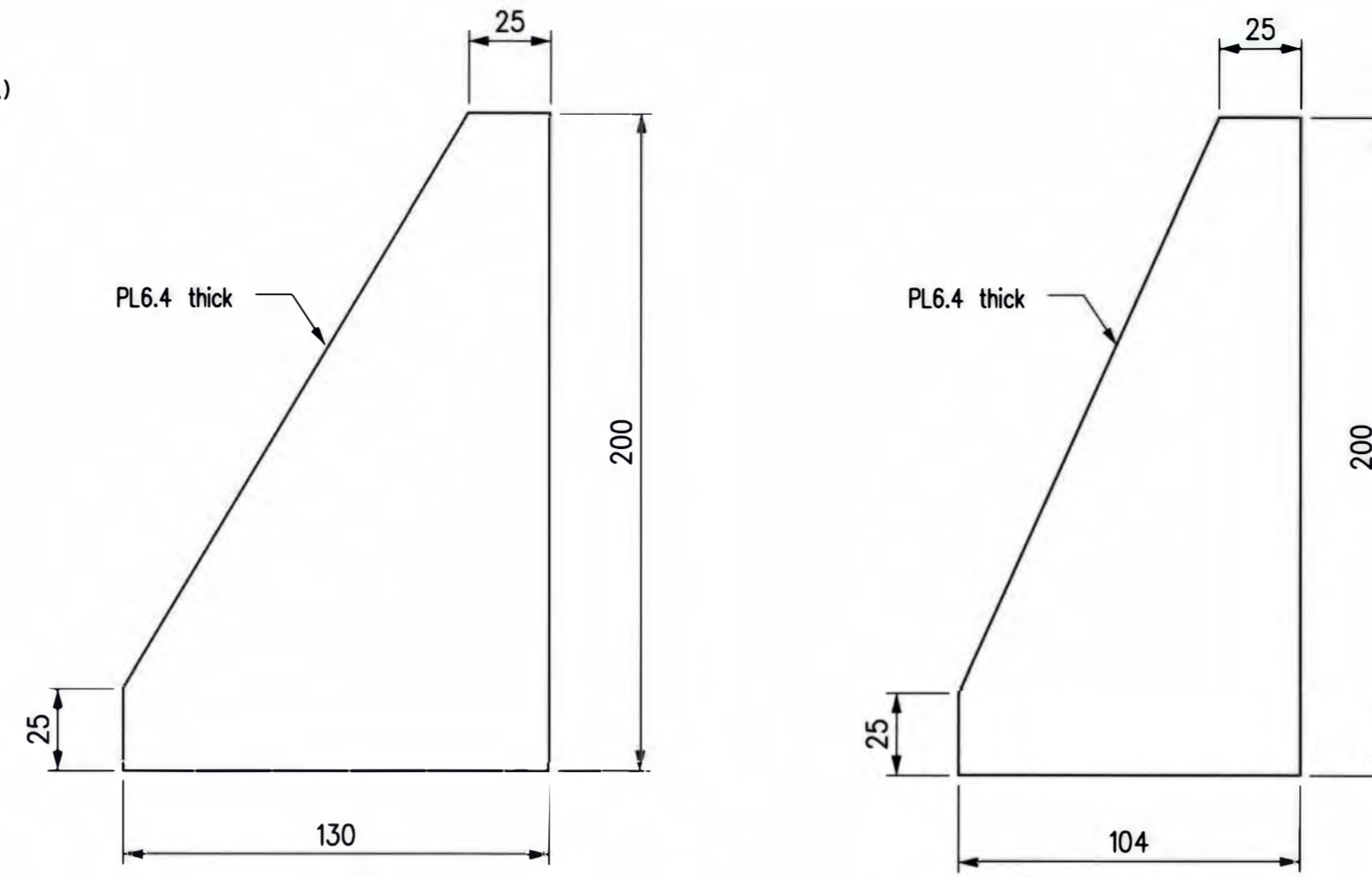
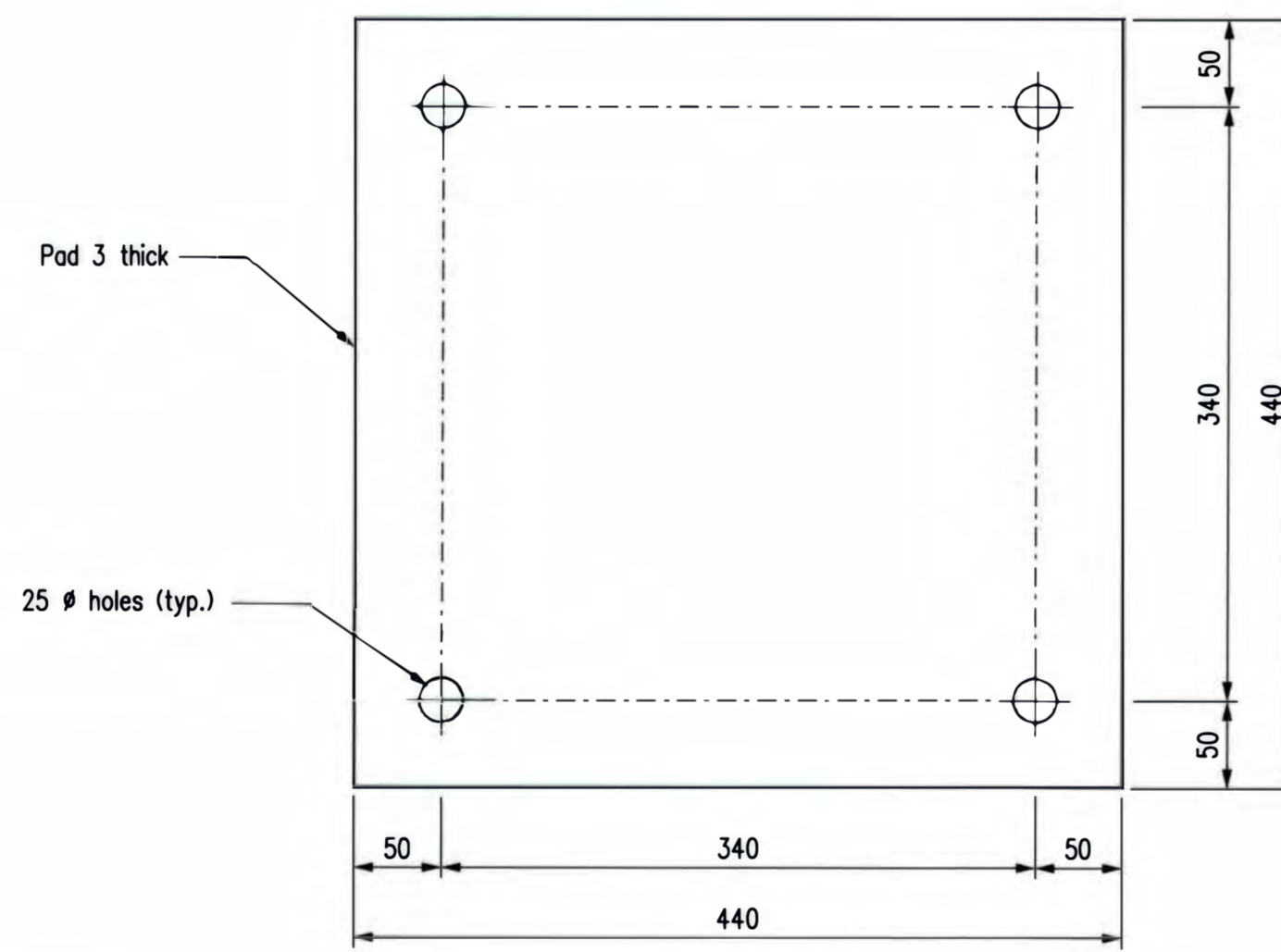


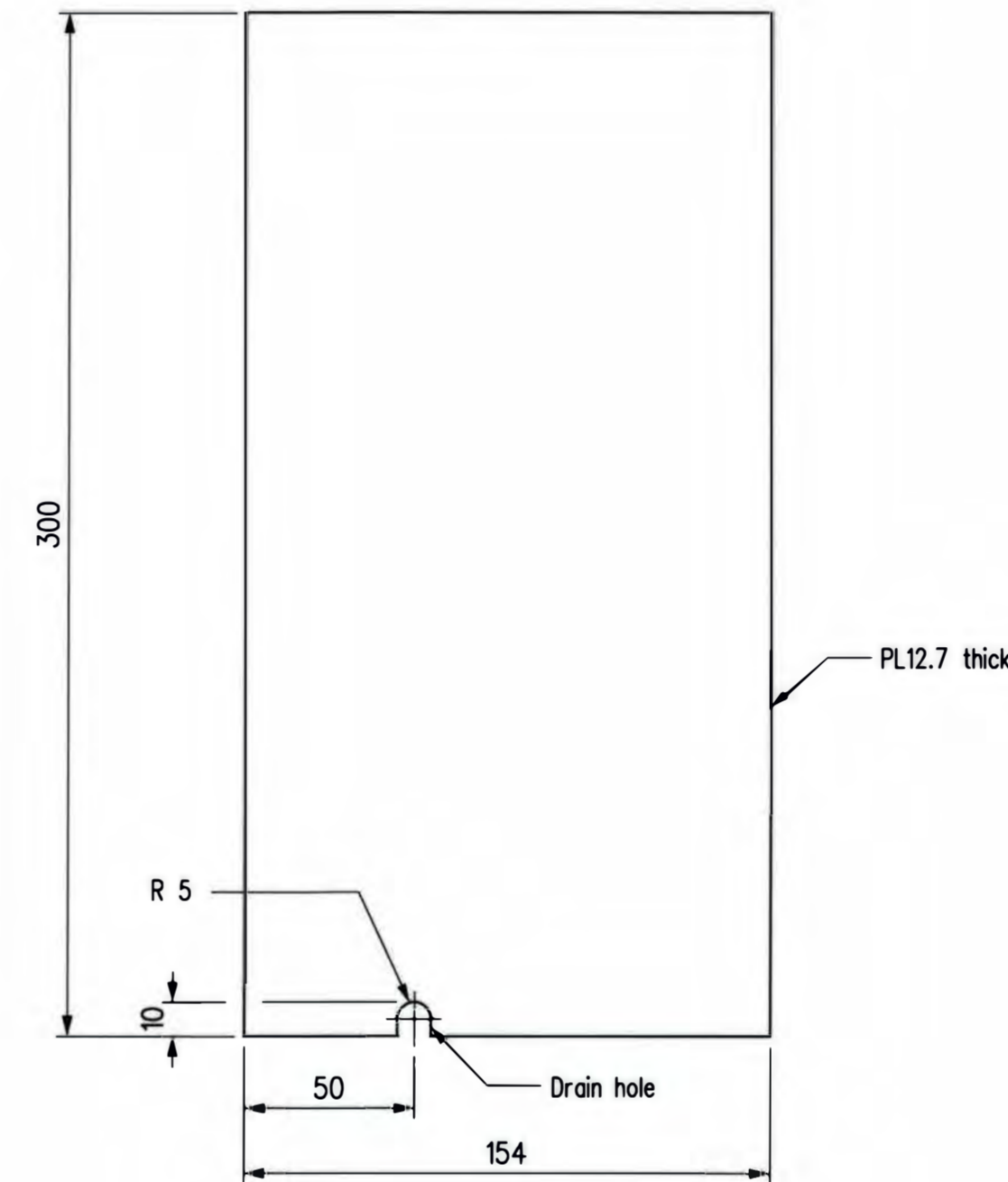
PLAN
BASE PLATE



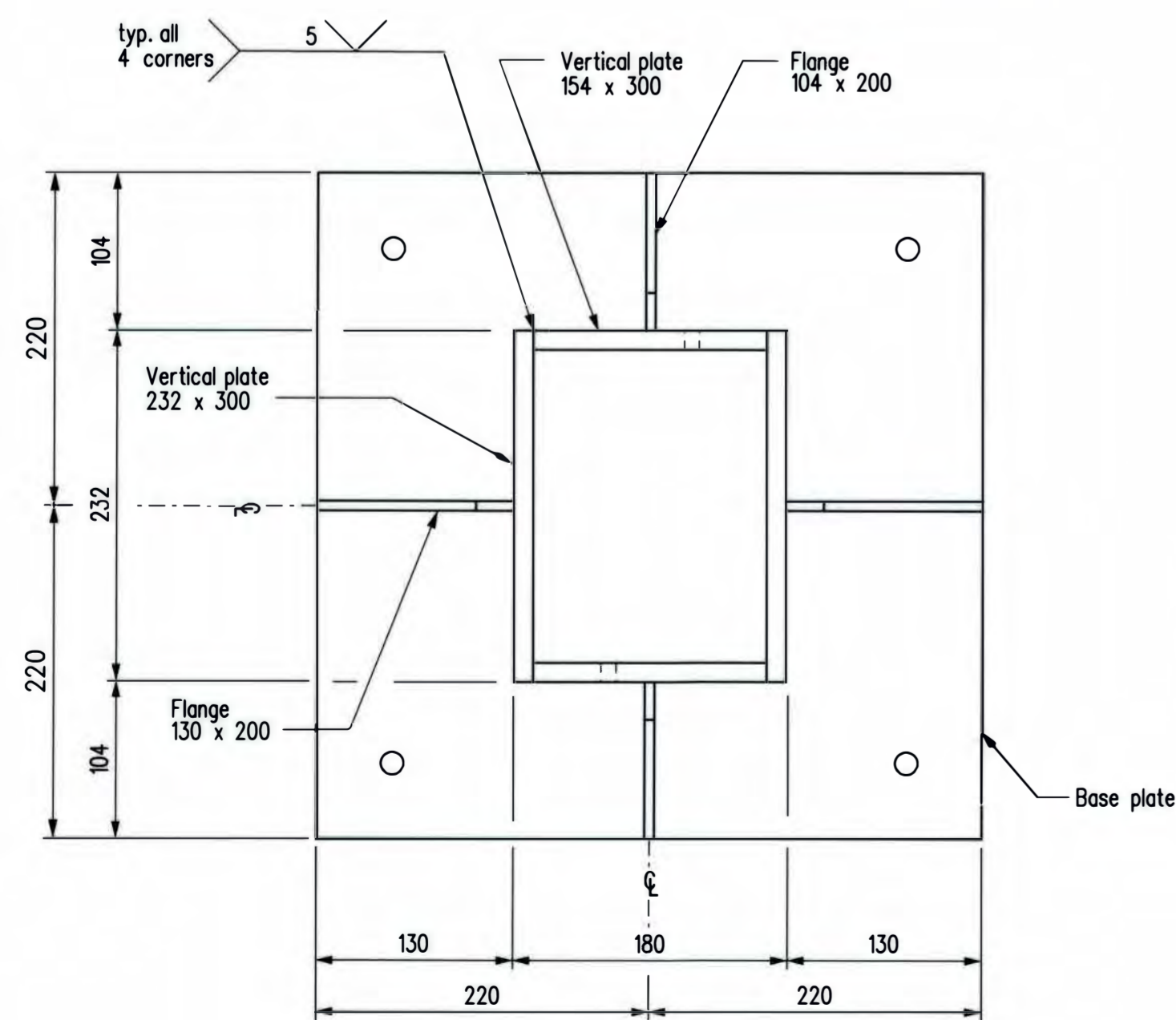
ELEVATION FLANGE
Scale 1:2



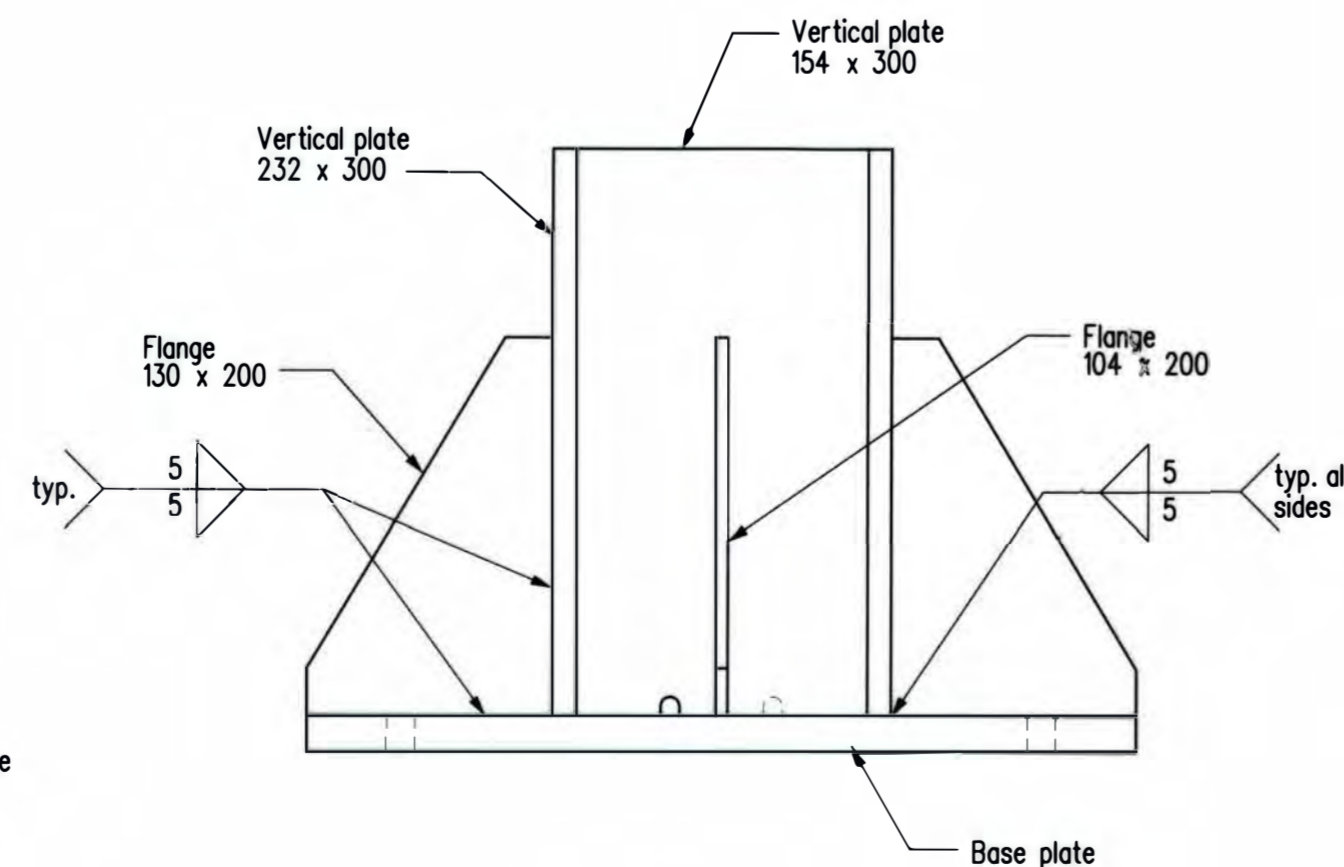
FABRIC BEARING PAD



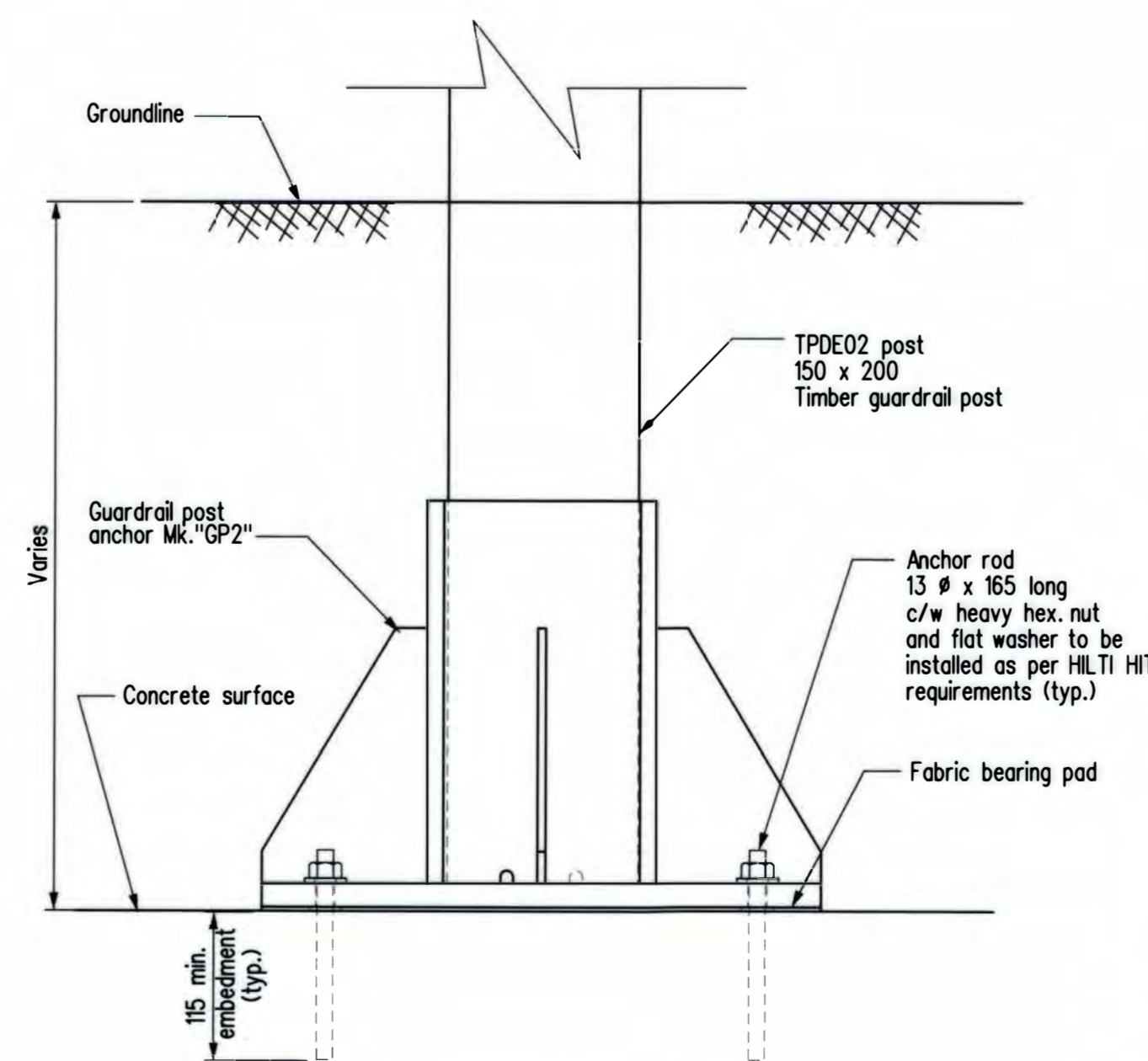
ELEVATION
VERTICAL PLATE
Scale 1:2



PLAN
GUARDRAIL POST ANCHOR Mk. "GP2"



ELEVATION



ELEVATION
INSTALLATION DETAIL
Scale 1:5

BILL OF MISCELLANEOUS METAL				SITE No. VARIOUS	
Mk.	No.	DESCRIPTION	SIZE	MASS PER UNIT	TOTAL MASS
GP2	1	Guardrail post anchor	galvanized after fabrication		53.47
Each post to be fabricated from :					
		1 - Base plate	PL19 thick, 440 x 440	28.875	
		2 - Vertical plates	PL12.7 thick, 154 x 300	9.212	
		2 - Vertical plates	PL12.7 thick, 232 x 300	12.309	
		2 - Flanges	PL6.4 thick, 200 x 104	1.382	
		2 - Flanges	PL6.4 thick, 200 x 130	1.696	
				53.473	
	4	Anchor rod c/w heavy hex. nut and flat washer	13 dia. x 165 long, galvanized	0.410	1.64
	1	Fabric bearing pad	As detailed, Fabreeka SA-47 pad or equivalent		
				TOTAL in kg =	55.11

NOTES:

1. Steel shall conform to CSA-G40.21 Grade 350 MPa steel or better.
2. Anchor rod shall meet the requirements of ASTM A193, Grade B7.
3. All material in the above Bill shall be galvanized in accordance with CAN/CSA-G164-M92.
4. Welding shall meet the current requirements of the American Welding Society, Structural Welding Code ANSI/AASHTO/AWS D.15.
5. Use grout pad to level concrete slab prior to installing guardrail post anchor Mk."GP2".
6. The adhesive for the anchor rod shall be HILTI HIT HY 150 Max Adhesive or equivalent approved by the Engineer.

STANDARD No. : STD RC-TGPAD2		APPROVED BY SIGNATURE : TITLE : DATE :		Original signed by Design Services Engineer A.K. Nelson July 16, 2013	
REVISIONS				GUARDRAIL POST ANCHOR DETAILS	
DATE	BY	DESCRIPTION		RELEASED FOR CONSTRUCTION BY:	
DESIGN SEAL	RECORD SEAL				
Original signed and sealed by Andy Pankratz July 16, 2013				DIRECTOR _____ DATE _____ STRUCTURES, DESIGN AND CONSTRUCTION BRANCH	
DESIGN	BY: A.H.P.	DESIGN	BY: A.H.P.	SCALE: 1:4 or	SHEET No. _____
DETAILS	CHECKED: M.F.B.	DETAILS	BY: N.J.	CHECKED: A.H.P.	As Shown SITE No. _____