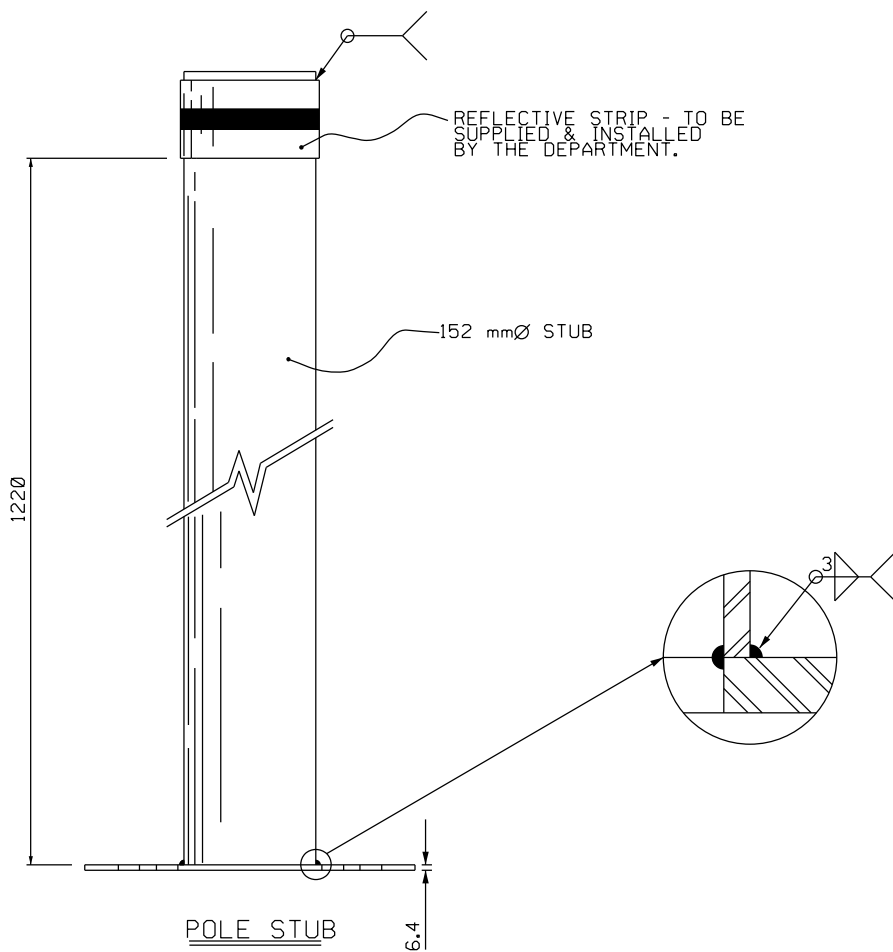



**NOTES:**

1. STUB AND CAP TO BE 12 GA.
2. FINISH - MUNSELL GREY (GUERTIN BROS. # SP-2304) OR EQUIVALENT.
3. SLOTTED HOLES TO BE 35 mm, 4 REQ'D.
4. ALL DIMENSIONS ARE IN MILLIMETERS.



REVISIONS	DATE	DESCRIPTION	BY

**Manitoba**   
 Infrastructure and Transportation  
 TRAFFIC ENGINEERING

TRAFFIC SIGNALS POLE STUBS  
 ORIGINAL APPROVED BY: LUCIEN GAGNON

SCALE:	N.T.S.
DATE:	05-2005
PREP. BY:	H.A.E.
E-024	