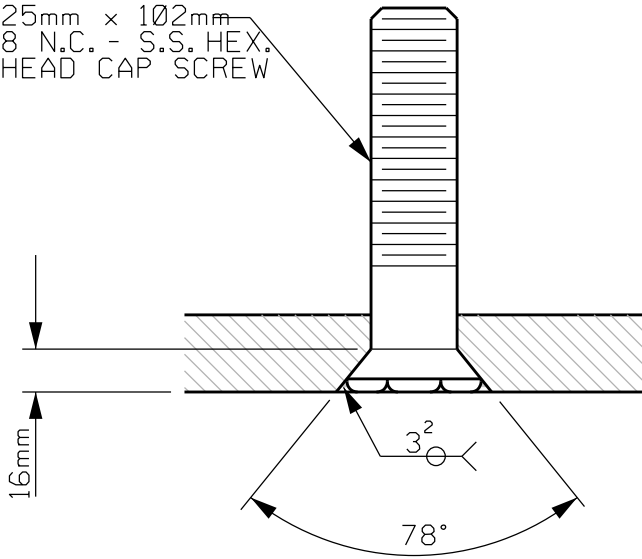
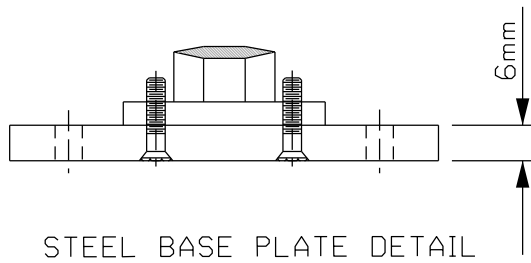


25mm x 102mm
8 N.C. - S.S. HEX.
HEAD CAP SCREW




STANDARD COUNTERSINK
SECTION A-A



ALL DIMENSIONS ARE IN MILLIMETERS

REVISIONS	DATE	DESCRIPTION	BY

Manitoba 
Infrastructure and
Transportation
TRAFFIC ENGINEERING

CONVERSION BASE
470mm to 206mm
APPROVED BY: LUCIEN GAGNON

SCALE:	N.T.S.
DATE:	10-2004
PREP. BY:	D.G.C.
E-020	