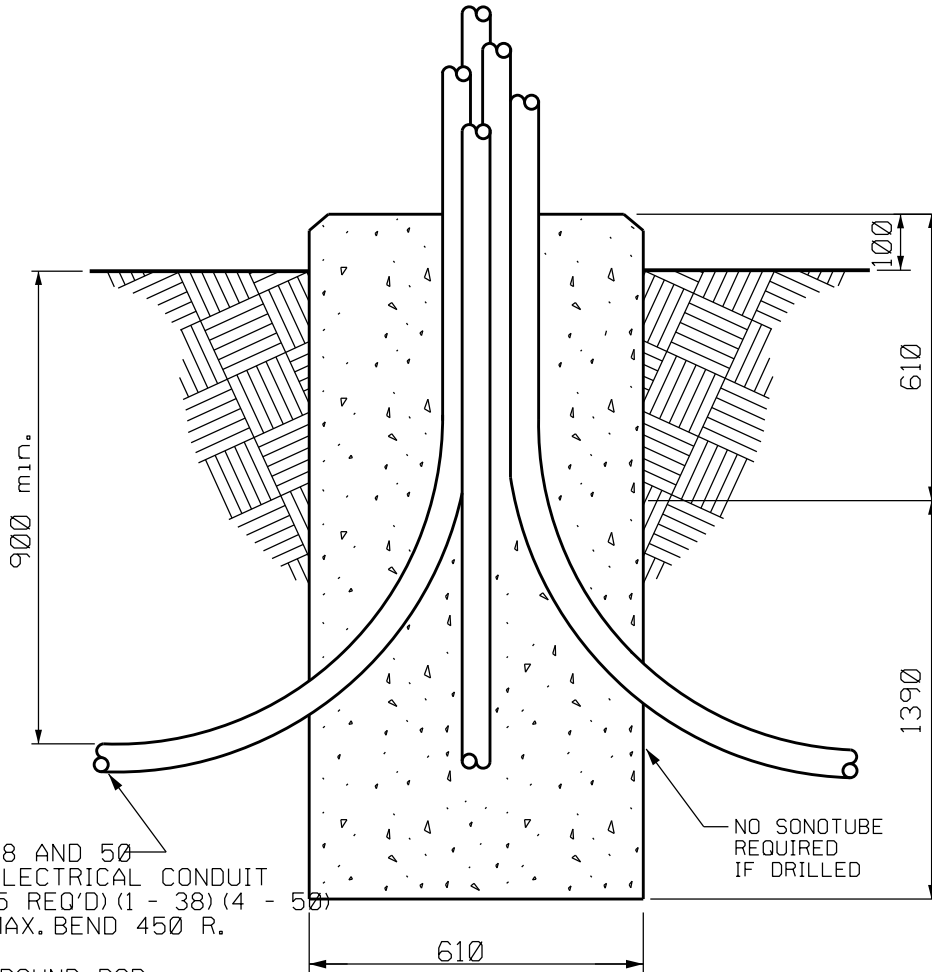


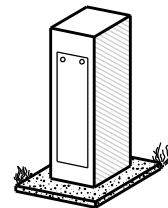
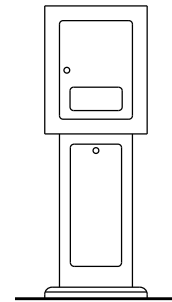
PLAN VIEW

NOTES:

1. CEMENT SHALL BE TYPE 50 (HS OR HSb) HIGH SULFATE RESISTANT HYDRAULIC CEMENT.
2. CONCRETE SHALL HAVE A CLASS 1 FINISH.
3. THE MINIMUM COMPRESSIVE STRENGTH OF CONCRETE SHALL BE 35 MP<sub>a</sub> AT 56 DAYS.
4. AIR CONTENT OF CONCRETE SHALL BE 4.0 - 7.0%.
5. CONCRETE SLUMP SHALL BE 80 mm (20 mm)
6. MAXIMUM SIZE OF COARSE AGGREGATE 25 mm
7. CONTROLLER BASE AND GROUND ROD LOCATION SHALL BE MARKED BY THE ENGINEER.
8. APPROXIMATE CONCRETE VOLUME: 0.75 m<sup>3</sup>
9. ALL DRAWING DIMENSIONS IN MILLIMETERS.
10. INSTALLATION OF GROUND ROD, CLAMP, AND #6 BARE COPPER GROUNDWIRE SHALL BE INSTALLED BY A LICENCED ELECTRICIAN ON SITE.
11. CONTROLLER BASE INSTALLATION SHALL ALSO INCLUDE 2 SPARE ELECTRICAL CONDUITS (1-38 mm) AND (1-50 mm).
12. SONOTUBE REQUIRED FOR THE BOTTOM 1390 mm OF THE CONCRETE PILE FOUNDATION.



SECTION VIEW




38 AND 50  
ELECTRICAL CONDUIT  
(5 REQ'D) (1 - 38) (4 - 50)  
MAX. BEND 450 R.

GROUND ROD  
(16 x 3000)  
SLATER COPPERWELD.  
(1 REQ'D) SEE NOTE 10.

NO SONOTUBE  
REQUIRED  
IF DRILLED

| REVISIONS | DATE  | DESCRIPTION    | BY  |
|-----------|-------|----------------|-----|
|           | 07-02 | PAPER ORIGINAL | BJ  |
|           | 04-05 | NOTE REVISION  | DCG |
|           | 11-07 | NOTE REVISION  | DCG |
|           | 04-10 | NOTE REVISION  | DCG |

**Manitoba**   
Infrastructure and  
Transportation  
TRAFFIC ENGINEERING

TYPE V CONTROLLER /  
POWER PEDESTAL BASE

APPROVED BY: LUCIEN GAGNON

SCALE: N.T.S.  
DATE: 07-2004  
PREP. BY: D.G.C.

E-005