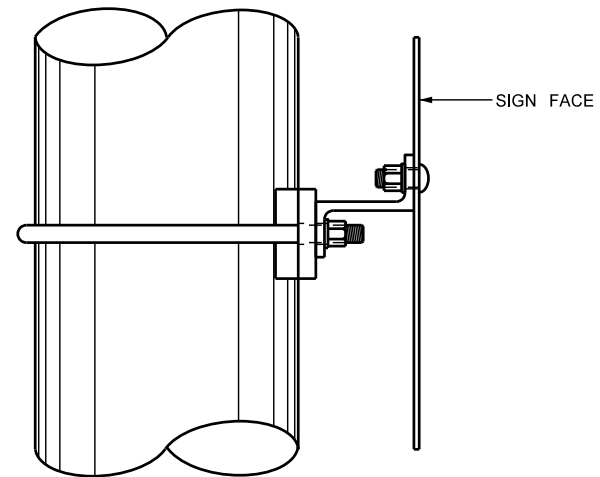
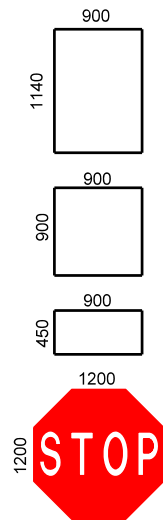


SHAPES AND SIZES OF SIGNS  
FOR 800 MM Z-BEAM



REVISIONS	DATE	DESCRIPTION	BY
	0607	REVISIONS	DC
	1108	RENUMBERED	DC
	1121	ALLOY REVISED	LB

**Manitoba**   
**Transportation and Infrastructure**  
 Traffic Engineering

800 mm Z-BEAM  
 ASSEMBLY DETAIL

ORIGINAL  
 APPROVED BY: \_\_\_\_\_

SCALE:	N.T.S.
DATE:	11 2007
PREP. BY:	DGC

TE-045C