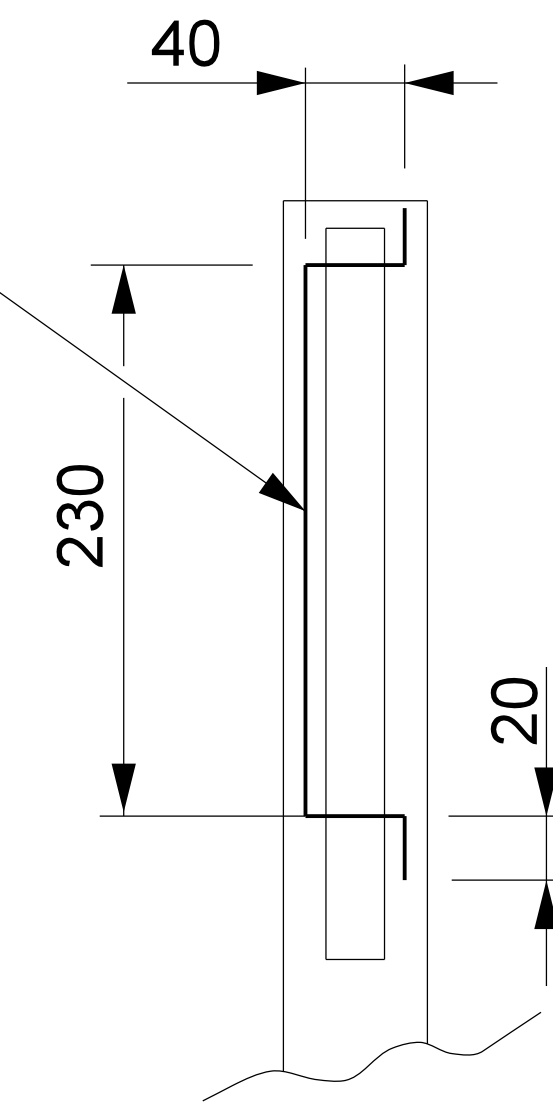


**CABLE SUPPORT**

NOT TO SCALE

5 DIA BRASS KEEPER ROD  
LENGTH 350



**SECTION 'A-A'**

NOT TO SCALE

4 TFBX12a x 40 LNG BOLTS w/ NUTS,  
2 TFWC12a WASHERS AND 1 TFWR10  
WASHER TORQUED TO 35 Nm  
(1 TFWC12a UNDER HEAD, 1 TFWC12a  
UNDER NUT & 1 TFWR10 BETWEEN  
SLIP BASE PLATES)

SLIP IMPACT BASE

S75 x 11 ANCHOR  
POST STUB

**ANCHOR POST DETAIL**

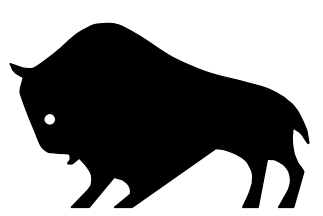
NOT TO SCALE

**NOTES:**

1. ALL SCALES ARE APPROXIMATE.
2. ALL DIMENSIONS ARE IN MILLIMETRES.
3. ONE 5 DIA. 350 LONG BRASS KEEPER ROD SHALL BE SUPPLIED WITH EACH TPSE06 POST.
4. BOLTS, NUTS, & WASHERS ARE SUPPLIED SEPARATELY.
5. THE ORIGINAL SEALED & SIGNED DRAWING IS IN TRAFFIC ENGINEERING.

REVISIONS

DATE	DESCRIPTION	BY
2013-12	REVISED POST LENGTH	HPL
2015-12	ADDED PROPERTIES TABLE	HL

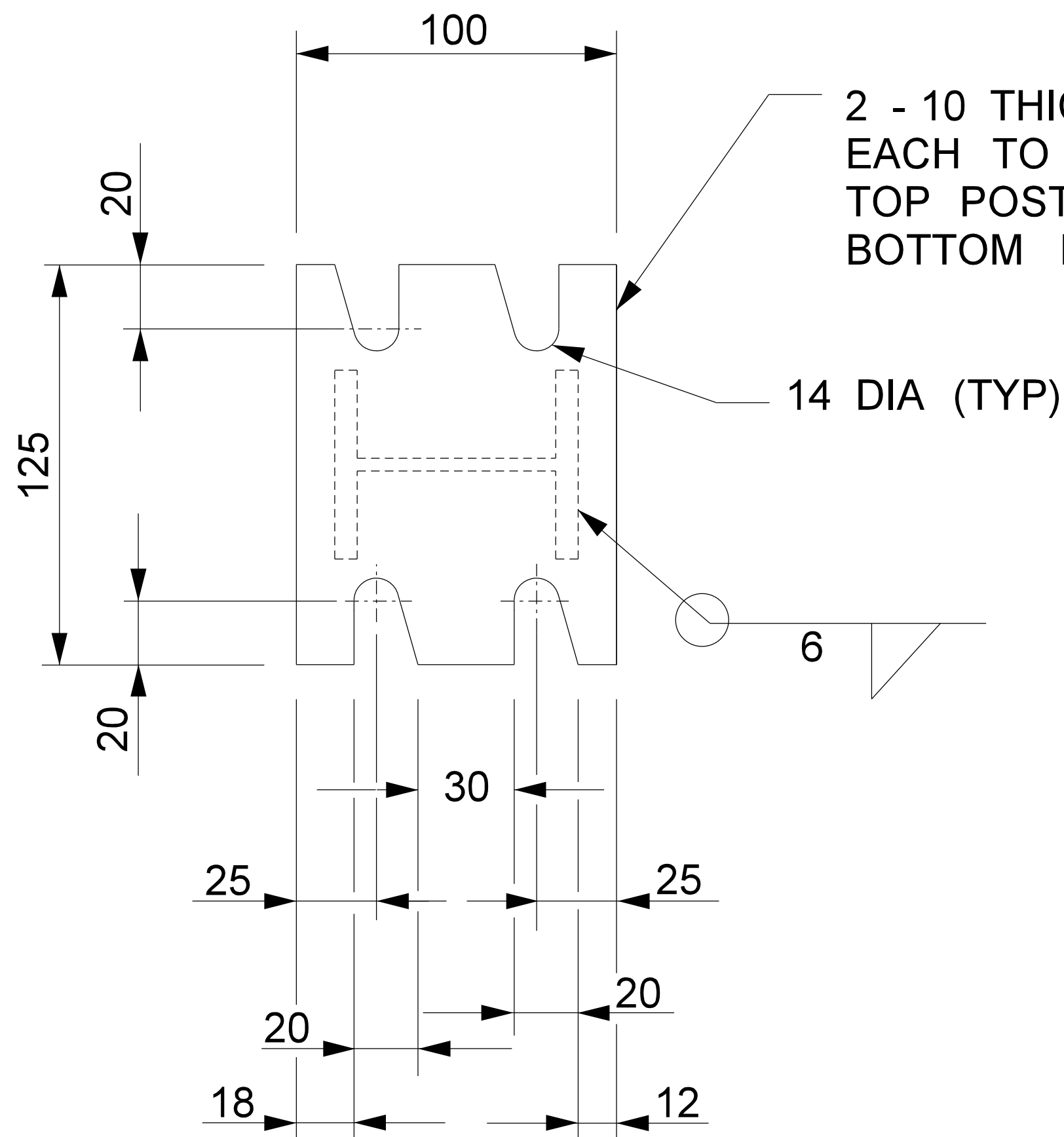
**Manitoba**   
**Infrastructure and  
Transportation**  
TRAFFIC ENGINEERING



CABLE GUARDRAIL  
ANCHOR POST

SHEET NO:	1 OF 2
DATE:	2009 - 03
DRAWN:	DGC

**TPSE06**

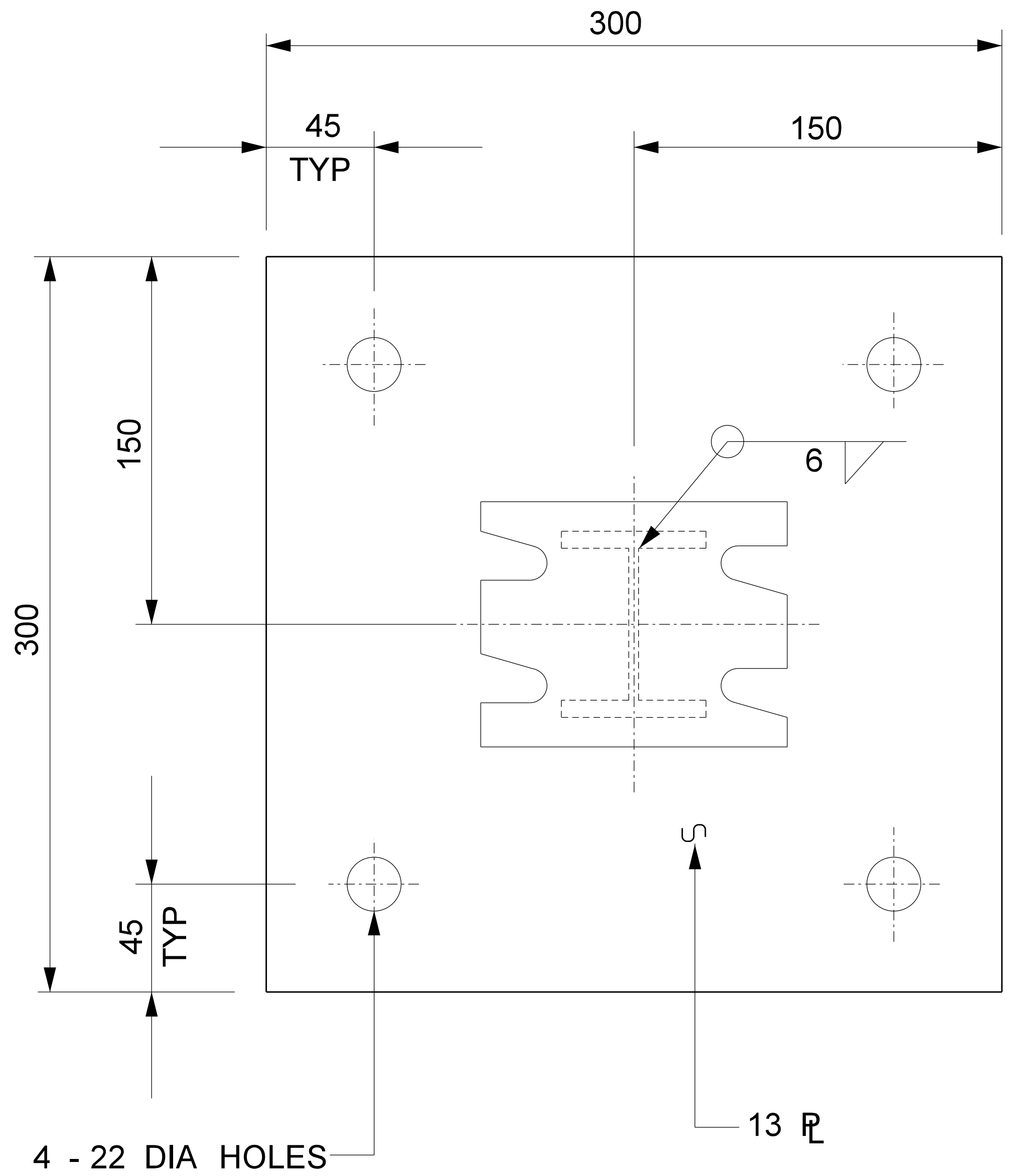
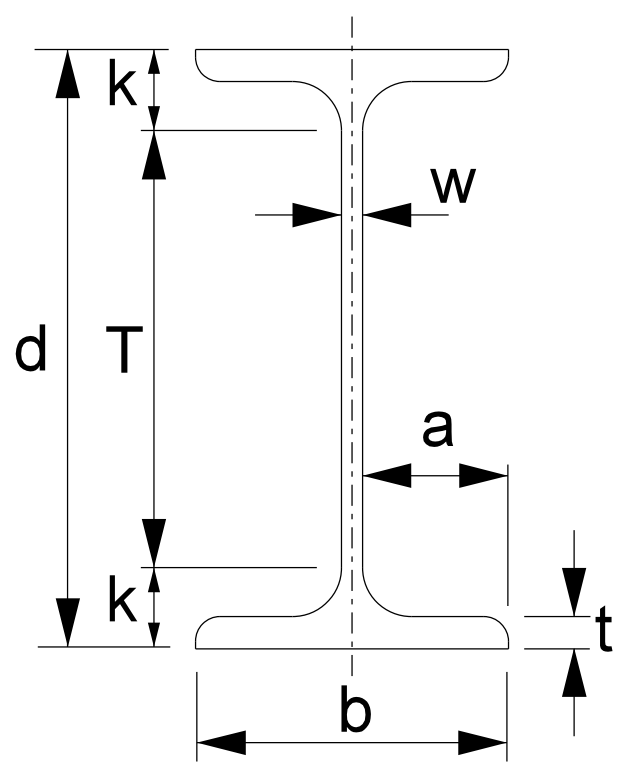


2 - 10 THICK PLATES WELD ONE EACH TO THE BOTTOM OF THE TOP POST AND THE TOP OF THE BOTTOM POST.

14 DIA (TYP)

**SLIP BASE PLATE**

NOT TO SCALE



**ANCHOR POST BASE DETAIL**

NOT TO SCALE

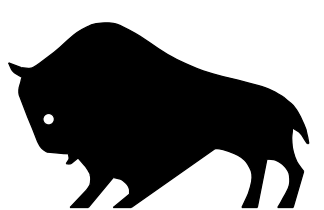
Designation	Nominal Mass kg/m	Theoretical Mass kg/m	Depth d mm	Flange Width b mm	Mean Flange Thickness t mm	Web Thickness w mm	Distances			Imperial Designation
							a mm	T mm	k mm	
S75x11	11	11.2	76	64	6.6	8.9	28	44	16	S3x7.5
S75x8	8	8.4	76	59	6.6	4.3	27	44	16	S3x5.7

**NOTES:**

1. ALL SCALES ARE APPROXIMATE.
2. ALL DIMENSIONS ARE IN MILLIMETRES.
3. THE ORIGINAL SEALED & SIGNED DRAWING IS IN TRAFFIC ENGINEERING.

REVISIONS

DATE	DESCRIPTION	BY
12-04	ADD RADIUS DIMENSION	DC
15-12	ADDED PROPERTIES TABLE	HL

**Manitoba**   
**Infrastructure and Transportation**  
 TRAFFIC ENGINEERING



CABLE GUARDRAIL  
ANCHOR POST

SHEET NO	2 OF 2
DATE:	2009 - 03
DRAWN:	DGC

**TPSE06**