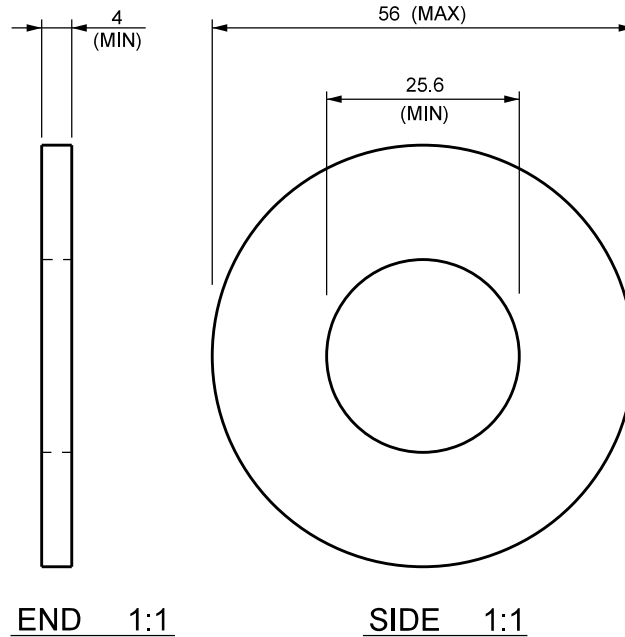


TFWC16a



TFWC24a

NOTES:

1. ALL SCALES ARE APPROXIMATE.
2. ALL DIMENSIONS ARE IN MILLIMETERS.
3. THE ORIGINAL SEALED & SIGNED DRAWING IS IN TRAFFIC ENGINEERING.

REVISIONS		
DATE	DESCRIPTION	BY
10-10	REVISIONS	DC

Manitoba 
**Infrastructure and
 Transportation**
 TRAFFIC ENGINEERING



PLAIN ROUND WASHER

SHEET NO:	1 OF 1
DATE:	2006 - 11
DRAWN:	A.G.

**TFWC16a-
24a**