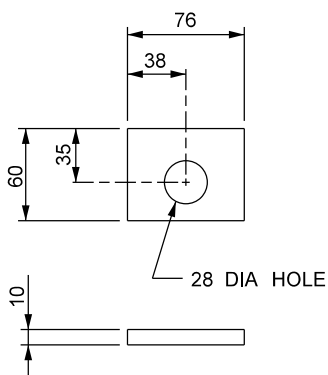
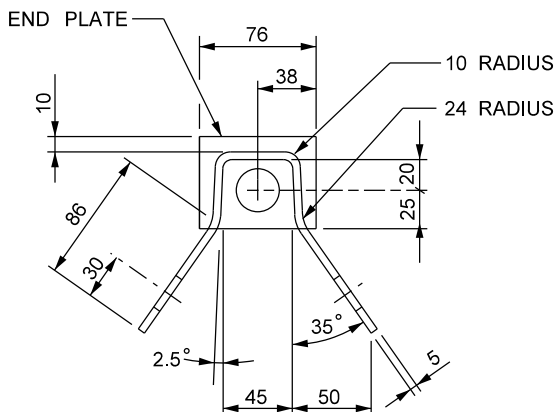


BRACKET PLAN 1:5



END PLATE 1:5



BRACKET SECTION 1:5

NOTES:

1. ALL SCALES ARE APPROXIMATE.
2. ALL DIMENSIONS ARE IN MILLIMETERS.
3. THE ORIGINAL SEALED & SIGNED DRAWING IS IN TRAFFIC ENGINEERING.

REVISIONS		
DATE	DESCRIPTION	BY
10-10	REVISIONS	DC

Manitoba 
Infrastructure and Transportation
 TRAFFIC ENGINEERING



GUARDRAIL ANCHOR BRACKET

SHEET NO:	1 OF 1
DATE:	2006 - 11
DRAWN:	A.G.

TFPA01