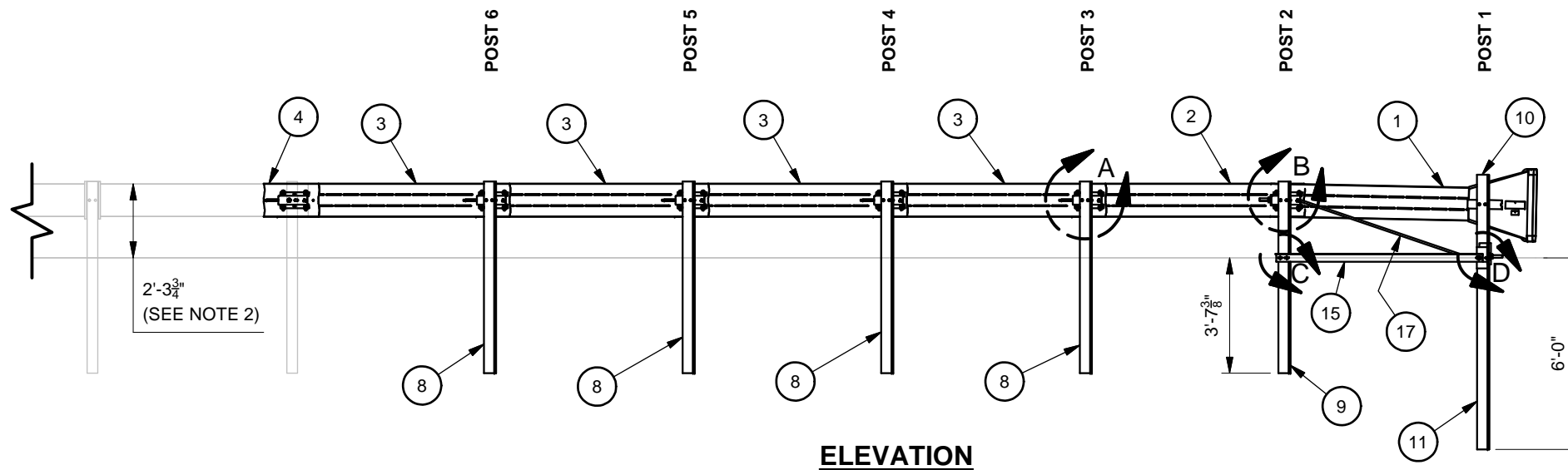
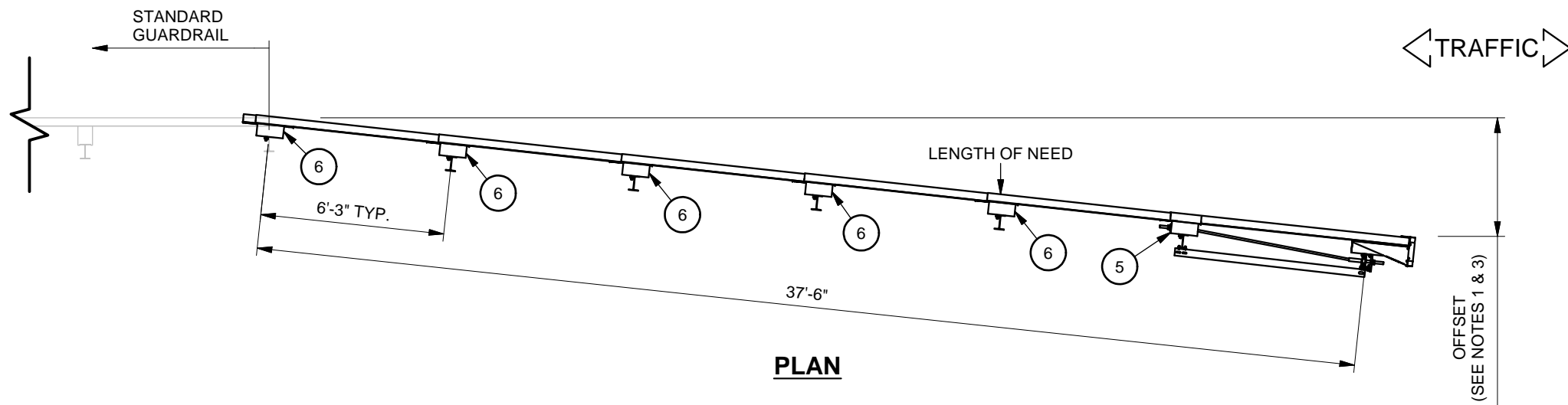


PARTS LIST			
ITEM	STOCK NO.	DESCRIPTION	QTY.
1	618194B	HEAD/RAIL350TE,G,W/DECALS	1
2	618192G	RAIL,W-SHAPE,2228,G	1
3	618193G	RAIL,W-SHAPE,2228,W/FIN,G	4
4	613554G	RAIL,W/FIN,W-SHAPE,525,G	1
5	614512G	SPACER,CABLE ANCHOR,TE,G	1
6	614529G	SPACER,POST/RAIL,TE,G	5
7	604465G	BACKING PLATE,POST,TE,G	6
8	000533G	6'0 POST/8.5/DDR	4
9	014578G	6'0 PST/8.5#/SYTP	1
10	034074A	TRND350 HBA BKY PST2'8.75	1
11	033873A	ET HBA P1-2 BTM X 6-1 1/2	1
12	003403G	5/8"X2" HEX BOLT A307	7
13	617000G	WASHER,BAR,1/4X2X89M,W/SLOT,G	6
14	003340G	NUT,HX,5/8,G,RAIL	7
15	033795G	SYT-3"AN STRT 3-HL 6'6	1
16	019258A	HBA-BRG PL/WELDED TABS	1
17	003012G	CBL 3/4X8'0/DBL SWG	1
18	003900G	1" ROUND WASHER F844	2
19	003910G	1" HEX NUT A563	2
20	118614G	BOLT,RAIL,5/8X2,G5,G	34
21	118615G	WASHER,FLAT,5/8,THICK,G	34
22	115971G	NUT,HX,5/8,G,GR DH	34
23	004390G	7/16"X1.5" HEX BOLT GRD 5	2
24	004389G	7/16" WASHER F844	2
25	004393G	7/16" LOCK WASHER	2
26	004396G	7/16" HEX NUT A563 DH	2
27	006321G	3/8"X2" HEX BOLT GR-5 HDG	2
28	004254G	3/8" ROUND WASHER F436	2
29	004258G	3/8" LOCK WASHER	2
30	006405G	3/8" HVY HEX NUT A563GRDH	2
31	003717G	3/4"X2.5" HEX BOLT A325	2
32	003701G	3/4" ROUND WASHER F436	2
33	004699G	3/4" LOCK WASHER	2
34	003704G	3/4" HVY HEX NUT A563 DH	2
35	618897B	MANUAL,PRODUCT,TREND 350 FLARED	1



- NOTES:
1. SYSTEM CAN BE FLARED UP TO AN OFFSET OF 4'-0".
 2. SYSTEM CAN BE ATTACHED TO DOWNSTREAM GUARDRAIL WITH HEIGHTS UP TO 31".
 3. REFER TO SYSTEM MANUAL FOR POST OFFSET DIMENSIONS.

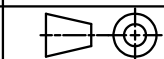
Revision	ECO	Date	Rev	By	Chk.	App.
ITMS 12,18,19,29 & 33 WERE 113659G,118004G,115931G,118092G & 118089G RESP., UPD VIEWS TO SHOW FLARE	3432	08/17/12	A	BSS	JME	PLK
UPDATED TITLE BLOCK	-	10/03/12	-	PLK	AJC	BSS
ADDED NOTE 3	3566	1/24/13	B	WWL	JME	BSS

DRAWN: B. Sindorf	DATE: 3/21/2012
DESIGNED: B. Sindorf	DATE: 5/13/2010
CHECKED: S. Trageser	DATE: 5/15/2012
APPROVED: P. Kruse	DATE: 5/14/2012



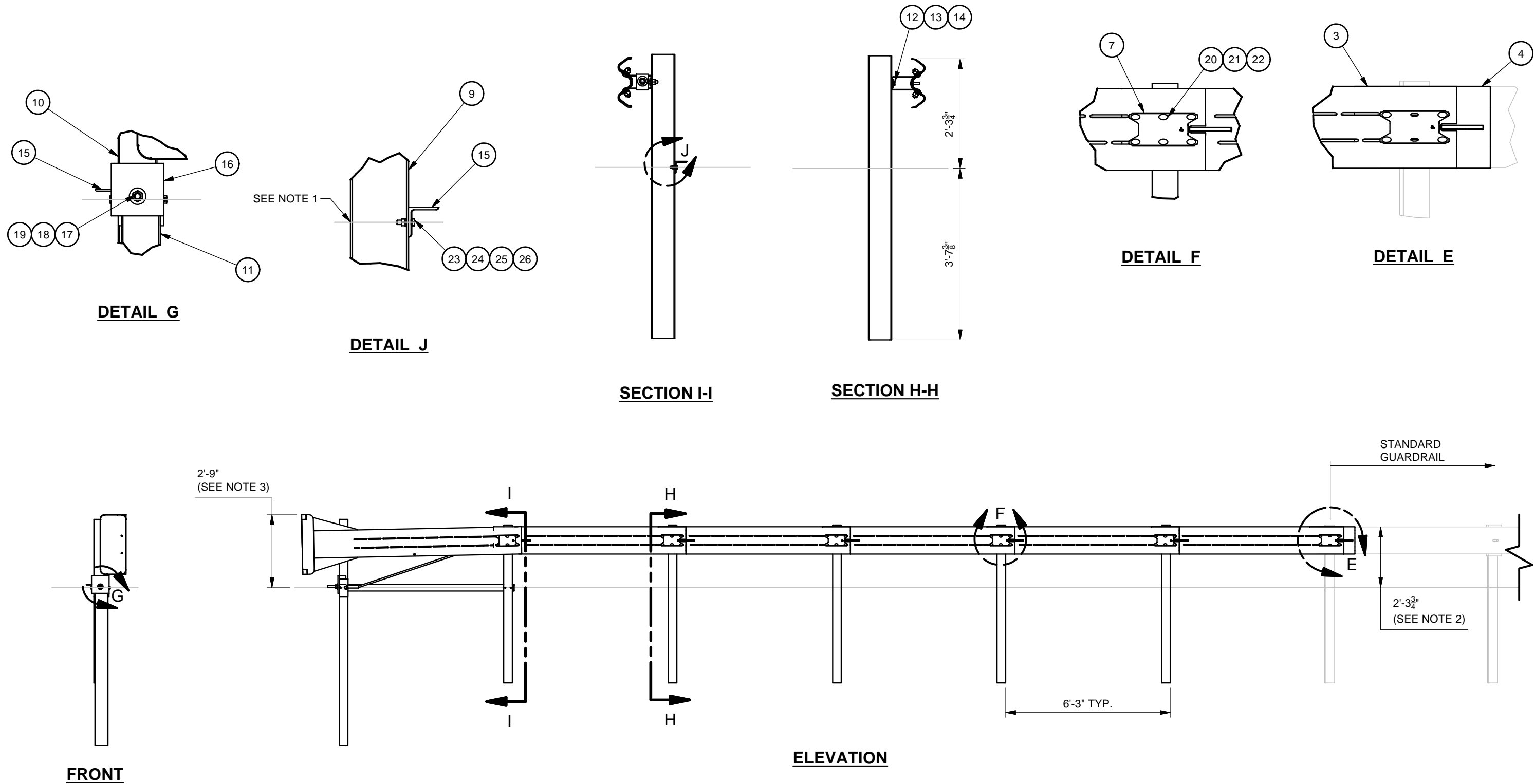
TRINITY HIGHWAY PRODUCTS, LLC

TREND 350 FLARED END TERMINAL



DRAWING: 618896	SHEET: 1 of 2	REV: B
--------------------	------------------	-----------

MODEL NO. 618896B 876.58 lbmass



NOTES:

1. 1/2" DIAMETER HOLES IN SYTP POST (ITEM 9) APPROXIMATELY CENTERED ON GROUND LINE.
2. SYSTEM CAN BE ATTACHED TO DOWNSTREAM GUARDRAIL WITH HEIGHTS UP TO 31".
3. DIMENSION IS FIXED REGARDLESS OF VARYING DOWNSTREAM GUARDRAIL HEIGHTS.

Revision	ECO	Date	Rev	By	Chk.	App.
UPDATED ELEVATION VIEW TO SHOW DOWNSTREAM GUARDRAIL, UPDATED NOTE 1, ADDED NOTES 2 AND 3	3432	08/17/12	A	BSS	JME	PLK
UPDATED TITLE BLOCK	-	10/03/12	-	PLK	AJC	BSS
SEE SHEET 1	3566	1/24/13	B	WWL	/	/

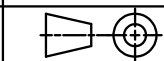
DRAWN: B. Sindorf	DATE: 3/21/2012
DESIGNED: B. Sindorf	DATE: 5/13/2010
CHECKED: S. Trageser	DATE: 5/15/2012
APPROVED: P. Kruse	DATE: 5/14/2012

UNLESS OTHERWISE NOTED, ALL DIMENSIONS ARE IN INCHES.
DIMENSIONS ACCORDING TO ASME Y14.5M-1994 UNLESS OTHERWISE SPECIFIED.



TRINITY HIGHWAY PRODUCTS, LLC

TREND 350 FLARED END TERMINAL



DRAWING: 618896	SHEET: 2 of 2	REV: B
--------------------	------------------	-----------

MODEL NO. 618896B

876.58 lbmass